

Contents

Important User Information	2	Supplied Hardware	3
Safety Precautions	3	Before Assembly	3
Required Tools	3	Assembly	4



Visit the Legacy Basic Acoustical Shell web page at wengercorp.com for more information.

Note: Please read and understand these instructions before proceeding.
Note: If you need additional information, contact Wenger Corporation using the information below.

Important User Information

General

Copyright © 2024 by Wenger Corporation

All rights reserved. No part of the contents of this manual may be reproduced, copied, or transmitted in any form or by any means including graphic, electronic, or mechanical methods or photocopying, recording, or information storage and retrieval systems without the written permission of the publisher, unless it is for the purchaser's personal use.

Printed and bound in the United States of America.

The information in this manual is subject to change without notice and does not represent a commitment on the part of Wenger Corporation. Wenger Corporation does not assume any responsibility for any errors that may appear in these instructions.

In no event will Wenger Corporation be liable for technical or editorial omissions made herein, nor for direct, indirect, special, incidental, or consequential damages resulting from the use or defect of these instructions. The manufacturer reserves the right to change this product at any time.

The information in this document is not intended to cover all possible conditions and situations that might occur. The end user must exercise caution and common sense when assembling or installing Wenger Corporation products. If any questions or problems arise, call the Wenger Corporation at (800) 4WENGER (493-6437) or +1-507-455-4100 worldwide.

Manufacturer

The Legacy® Basic Acoustical Shell is manufactured by:

Wenger Corporation
555 Park Drive
Owatonna, MN 55060
(800) 4WENGER (493-6437) • +1 (507) 455-4100
wengercorp.com

Intended Use

- This product is designed to be an acoustical reflector for vocal or instrumental groups. Towers may also be used as a backdrop or as a screen for other functions such as speeches and ceremonies.
- This product is intended for indoor use in normal ambient temperature and humidity conditions – it must not be exposed to outside weather conditions.
- This product is intended to be assembled and used only as described in these instructions.

Warranty

Warranty information is available at wengercorp.com.

Safety Precautions

Throughout this document you may find cautions and warnings which are defined as follows:

- **WARNING:** Failure to follow the instruction could result in serious injury or damage to property.
- **CAUTION:** Failure to follow the instruction could result in minor injury or damage to property.

Read all of these safety instructions before starting the assembly.

⚠ CAUTION

Make sure anyone assembling, installing or using this product has read and understands these instructions.

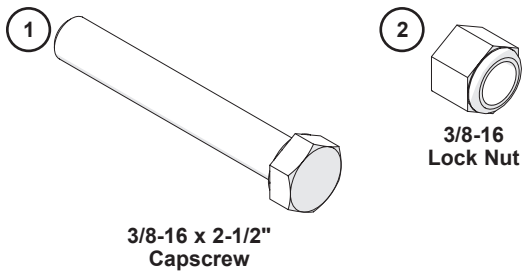
⚠ CAUTION

Failure to comply with Warnings and Cautions in this document or on the equipment can result in damage to property or injury.

Required Tools

- 1/2" Combination wrench or socket
- 9/16" Combination wrench or socket
- 3/4" Combination wrench or socket
- Cordless drill with phillips head bit
- Utility knife

Supplied Hardware



Before Assembly

Units should be assembled indoors, in a well-lighted space with a level floor.

Choose an area close to the performance space - a backstage scene shop is ideal.

Make sure units will fit through any doors between the assembly area and the performance space.

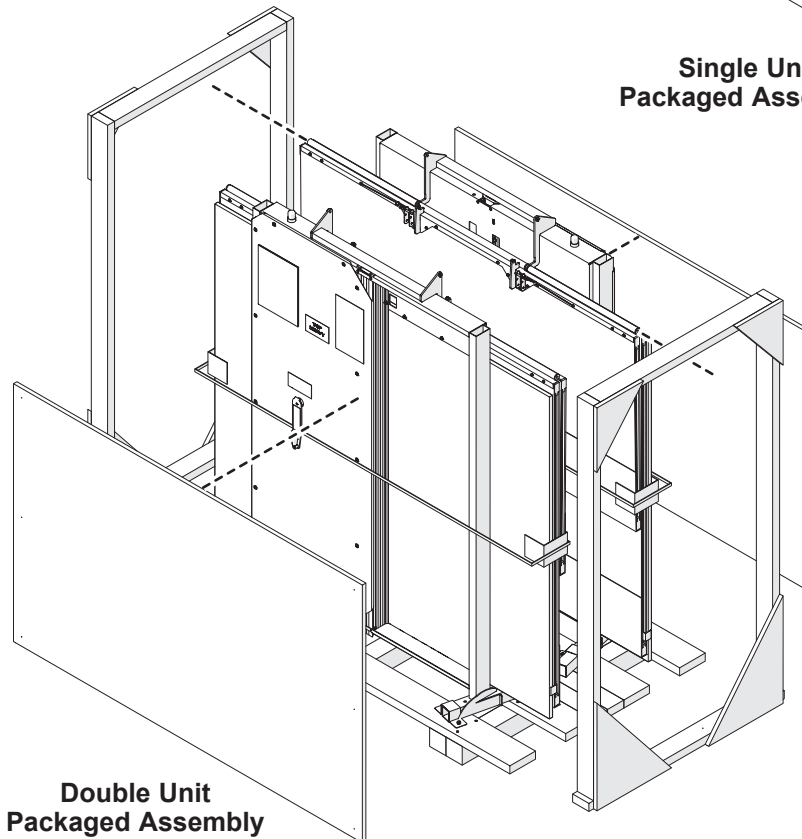
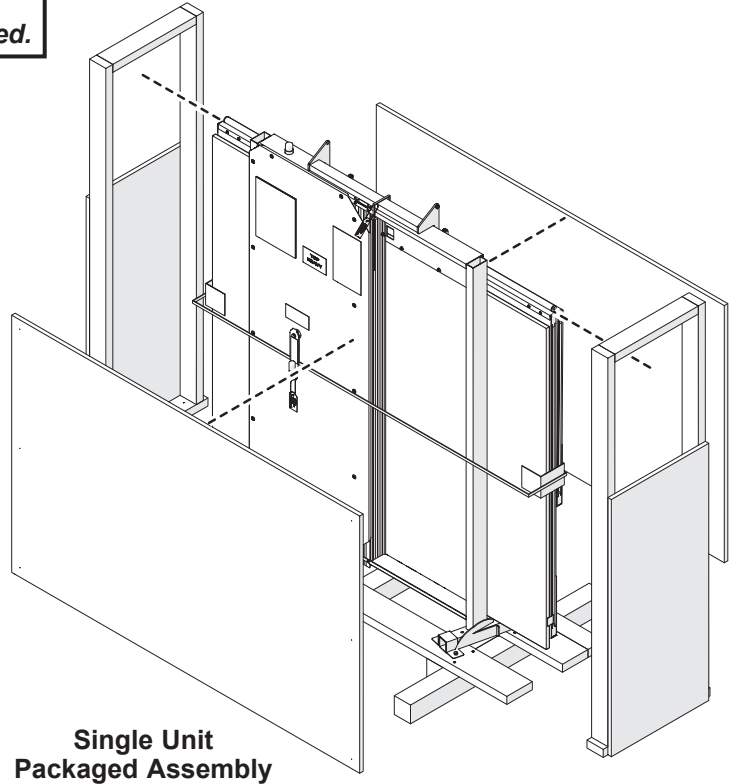
It is recommended that two people are used in the assembly process.

Assembly

1. Back out the screws and remove the outer lumber and plywood that protect the Legacy Basic during shipping.
Do not remove or disassemble the bottom pallet at this time.

CAUTION

Do not unband the main assembly until it is completely assembled and the pallet is removed.

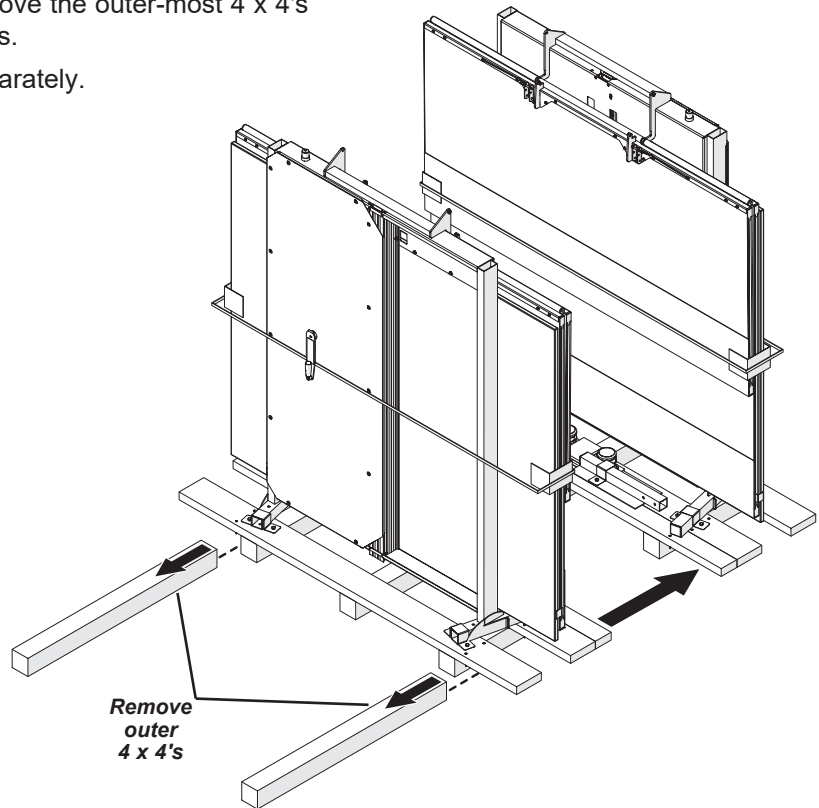


Assembly (continued)

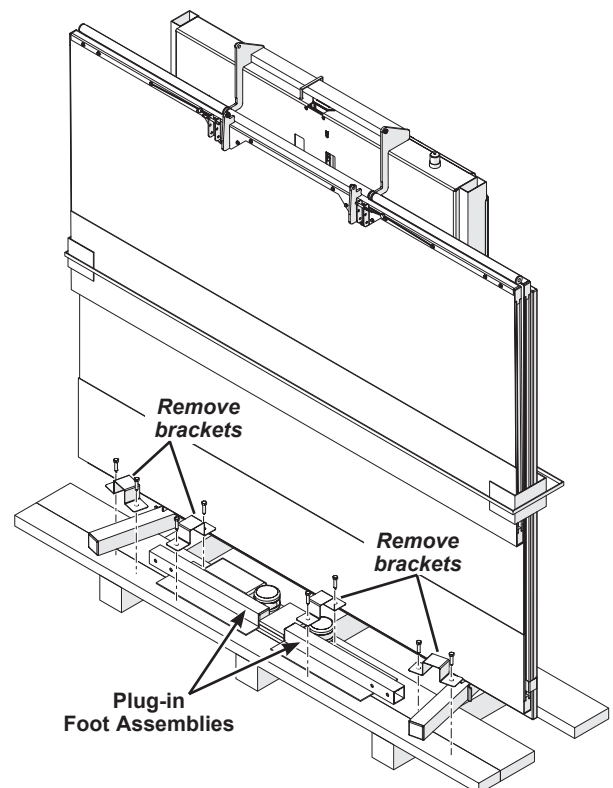
2. Remove the outer-most 4 x 4's from both sides.

If two units are packaged together, remove the outer-most 4 x 4's from both sides and separate the pallets.

Proceed with assembling each unit separately.

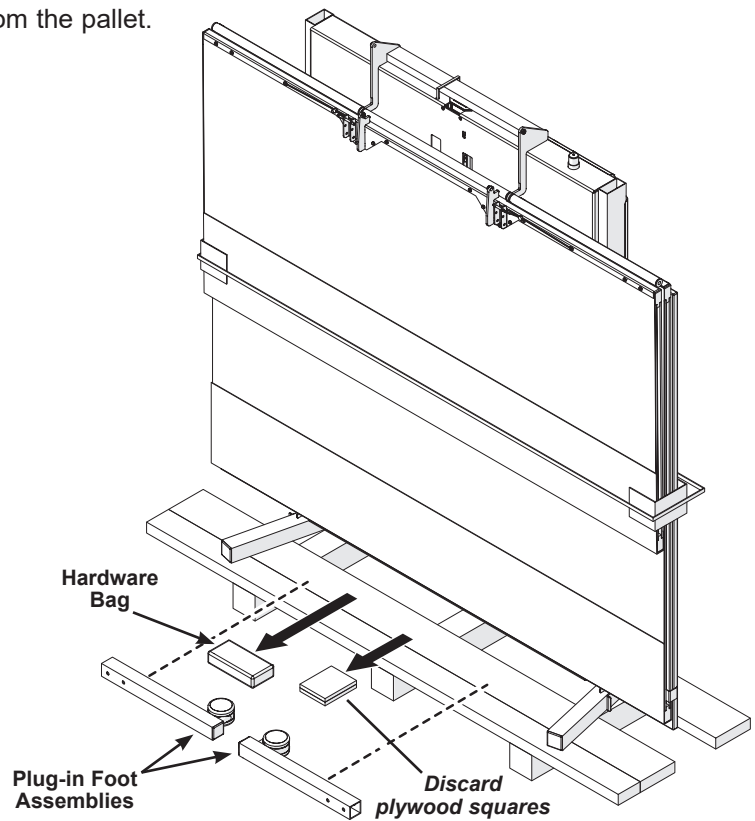


3. Unscrew and remove the two brackets that secure the two plug-in foot assemblies to the pallet.
4. Unscrew and remove the remaining two brackets that secure the front side of the shell to the pallet.

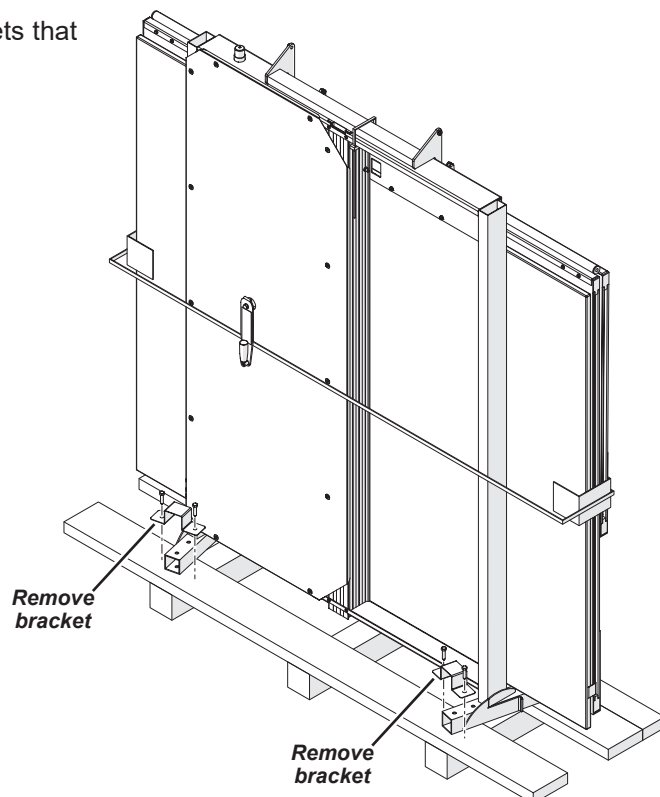


Assembly (continued)

5. Remove the two plug-in foot assemblies and hardware bag and set them aside.
6. Unscrew and discard the plywood squares from the pallet.



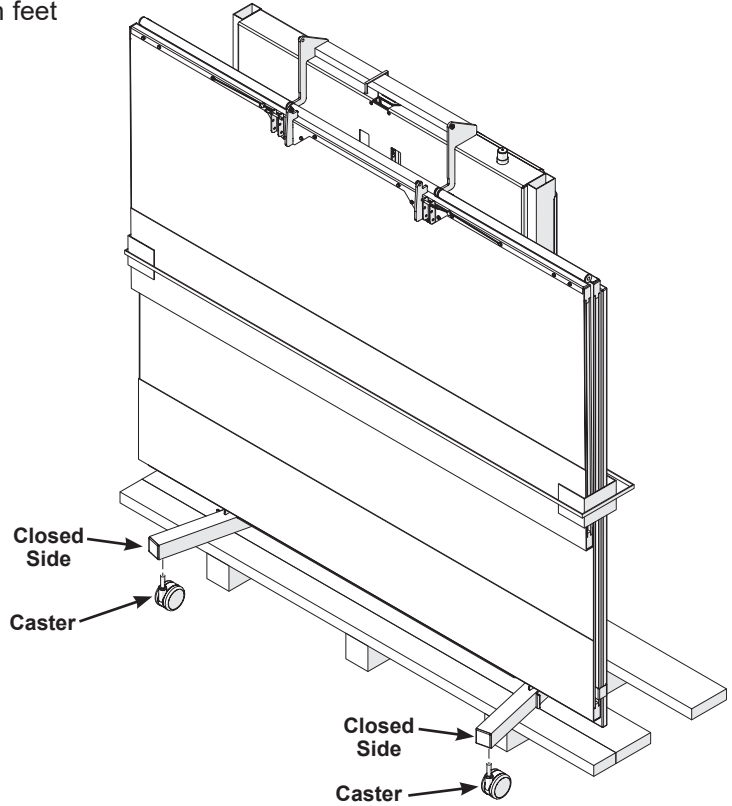
7. Unscrew and remove the remaining two brackets that secure the back side of the shell to the pallet.



Assembly (continued)

- Slide the shell over until the closed side of both feet extend beyond the edge of the pallet.

Screw one caster into the threaded hole on the underside of each foot end.

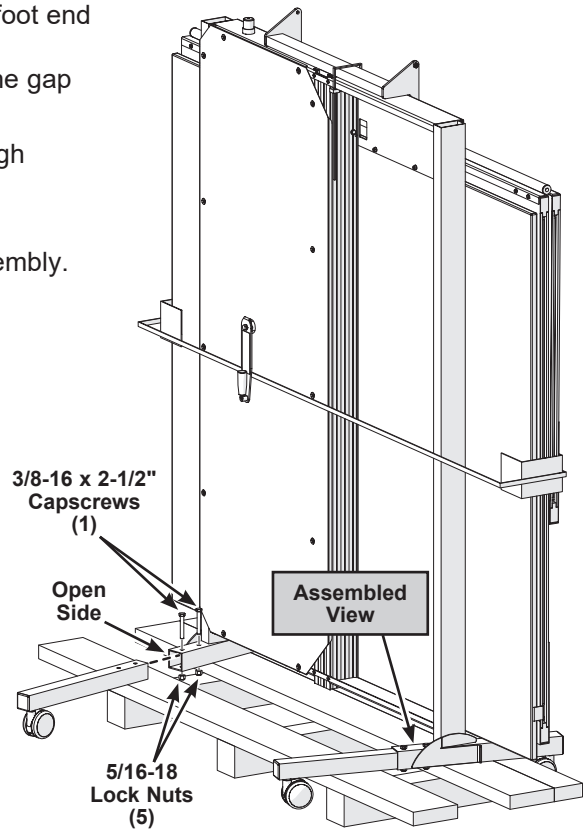


- Slide one plug-in foot assembly into the open side of each foot end and align both sets of pre-drilled holes.

For easier access, these holes should be positioned over the gap in the pallet boards as shown.

From the top, insert one 3/8-16 x 2-1/2" capscrew (1) through each set of pre-drilled holes and secure at the bottom with a 3/8-16 lock nut (2).

Repeat on the other side for the remaining plug-in foot assembly.

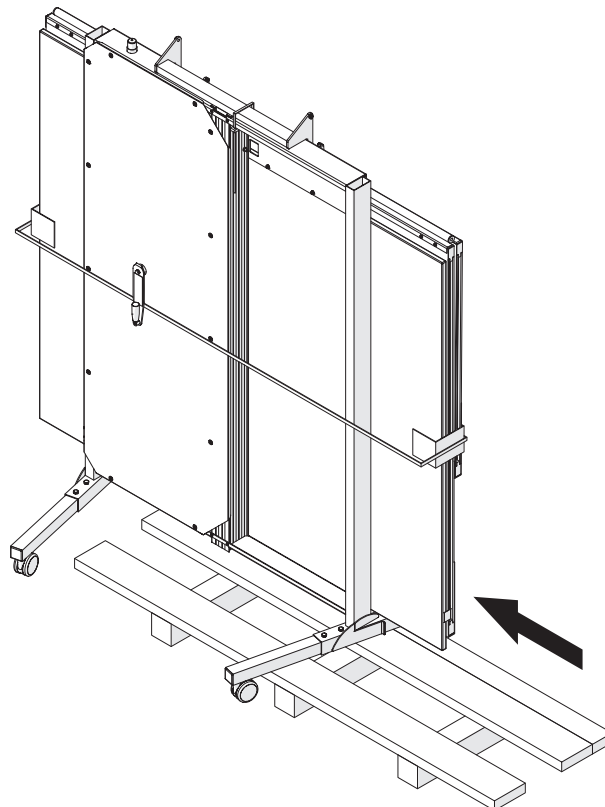


Assembly (continued)

10. Using more than one person, carefully slide the shell off of the pallet and onto the floor as shown.

⚠ CAUTION

The shell is heavy. More than one person is required slide it off of the pallet.



11. Remove any remaining plastic wrapping, banding, tape or packing.

